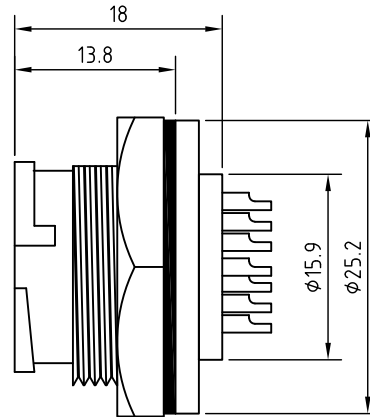
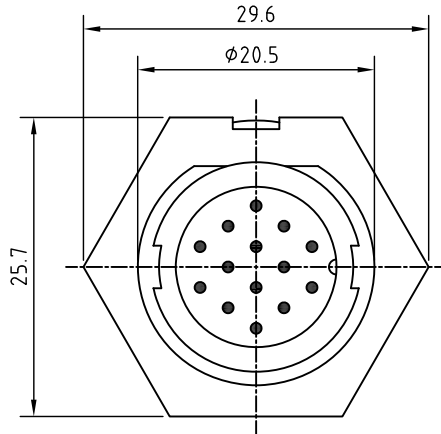


Recommended
Panel cut-out



REV.	Description	Date
1	upgrade drawing	2015/6/15

Specification of connector

Locking system : Twist Lock
 Termination : solder
 Shell protection : IP67
 Rated voltage : 125V
 Rated current : 5A
 Contact resistance : $\leq 10\text{m}\Omega$
 Insulation resistance : $\geq 10\text{M}\Omega$

RoHS

TOLERANCE .X \pm 0.5 X.X \pm 0.3

4	O ring	Rubber	
3	Nut	PA	
2	Body	PA	
1	Pin	Brass	Gold plated
Item	Description	Material	Treat & Remark



Unicable Co., Ltd. 國陽電業有限公司

5F., No. 111-33, Sec. 4, San Ho Road., San Chung Dist., New Taipei City, Taiwan, R.O.C.
<http://www.unicable.com.tw> TEL:+886-2-2286-2122 FAX:+886-2-2286-1010

DATE	2018/10/5	PART NO.	UT-SD214M-14P
DWN	GINA	REV.	1
CHK			
UNIT	MM		

ITEM

Circular Connector Type C